

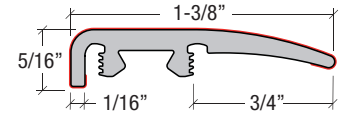
## Technical Information — Sizes

### Slim Cap

Slim Cap is used to transition from vinyl to carpet, masonry (fireplaces), sliding doors and other exterior door jambs.

**Surface Material:** High Wear Resistant Aluminum Oxide Laminate

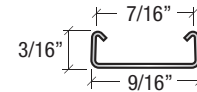
**Core Material:** PVC



### SlimTrack

To be used with Slim Cap for floors up to 4.5mm thickness including underlayment. Also, used in conjunction with 1 Versatrack Shim for 5-9.5mm floors including underlayment and 2 shims for 10-12.7mm floors including underlayment.

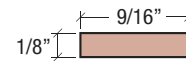
**Material:** Cold Roll Steel



### Versatrack Shim

Slim Cap in conjunction with the SlimTrack or Versatrack for floors from 5mm-12.7mm thickness including underlayment.

**Material:** Standard HDF



## Installation\*

<p><b>FLOOR THICKNESS:</b></p>	<p>The overall flooring assembly thickness refers to the total thickness of all members of the floor installation being laid upon the subfloor. This typically is comprised of the flooring plank, the underlayment, either attached or loose lay and any additional vapor barriers.</p>
<p><b>SlimTrack Floors Up to 3/16" (0 - 4.5 mm)**</b></p>	<p>Carpeting      SlimTrack      0-4.5 mm Floor</p>
<p><b>SlimTrack &amp; Shim Floors 3/16 - 3/8 (4.5 - 9.5 mm)**</b></p>	<p>Sub Floor      Shim      SlimTrack      5-9.5 mm Floor</p>
<p><b>SlimTrack &amp; 2 Shims Floors 3/8 - 1/2" (9.5 - 12.7 mm)**</b></p>	<p>2 Shims      SlimTrack      10-12.7 mm Floor</p>

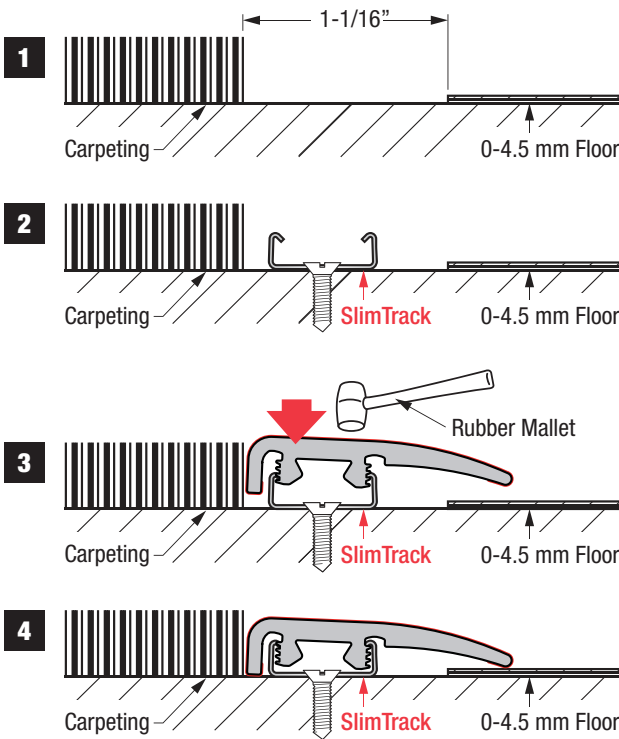
\*The installation instructions shown on this page are suggestions of how to install our moldings. Versatrim does not assume responsibility for any product failure or liability due to installations that are in violation of the flooring manufacturer's installation guidelines and/or warranties.

\*\*All references to flooring thickness refer to the total thickness of all members of the floor installation being laid upon the subfloor. This typically is comprised of the flooring plank, e.g. Vinyl or Laminate, the underlayment, either attached or loose lay and any additional vapor barriers.

## Floors Up to 3/16" (0 - 4.5 mm)



SlimTrack



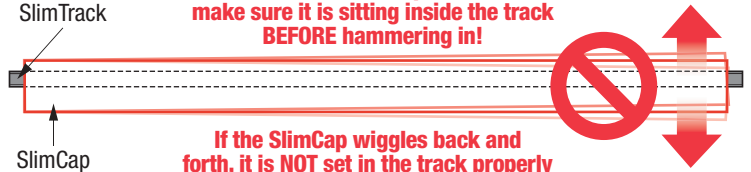
*If the flooring manufacturer suggests/permits the use of underlayments, you may need to shim the track to accommodate the increase in overall thickness*

**Step 1:** Install the flooring planks including the underlayment by leaving a 1-1/16" inch (27mm) gap for the installation of the SlimCap molding.

**Step 2:** Place the SlimTrack between the carpet and the flooring. Use the molding for a guide. Screw it to the subfloor by using #6x5/8" screws.

**Step 3:** Line the SlimCap up with the track and fit one end into the molding. Using a rubber mallet, tap the molding until it engages with the track. **Use your hand to guide the molding into the track as you work your way down**, tapping it in, similar to how you would close a zip-loc bag.

**IMPORTANT: Rock SlimCap back & forth to make sure it is sitting inside the track BEFORE hammering in!**



**If the SlimCap wiggles back and forth, it is NOT set in the track properly and will be damaged when hammered in!**

**Step 4:** Next, go up and down the molding several times, tapping the SlimCap all the way into the track. You can use a little more force once you are sure it is properly engaged in the track.

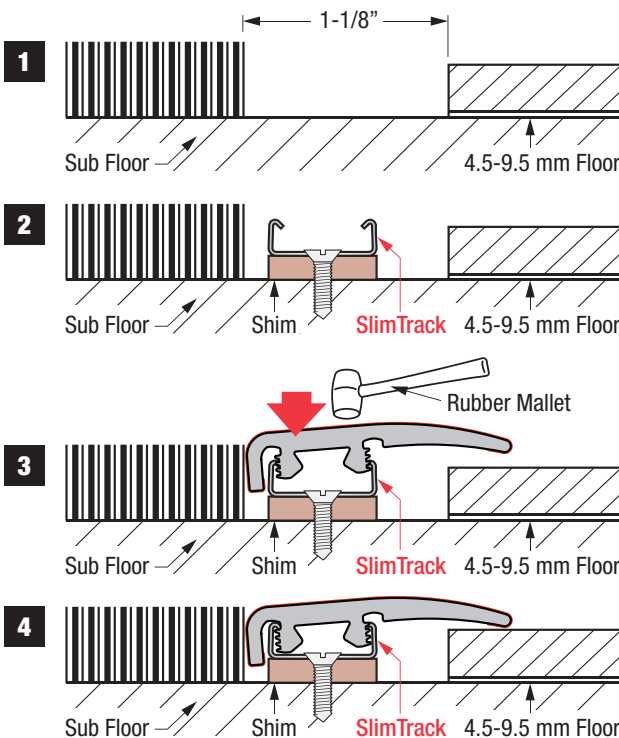
## Floors 3/16 - 3/8 (4.5 - 9.5 mm)



SlimTrack



Versatrack Shim

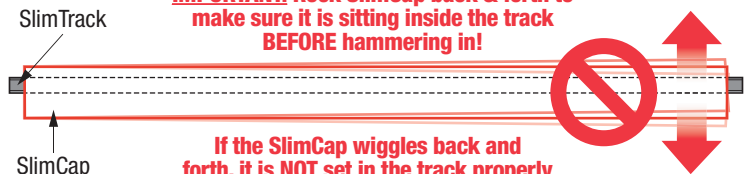


**Step 1:** Install the flooring planks including the underlayment by leaving a 1-1/16" inch (27mm) gap for the installation of the SlimCap molding.

**Step 2:** Place the SlimTrack and shim between the carpet and the flooring. Use the molding for a guide. Screw them to the subfloor by using #6x5/8" screws.

**Step 3:** Line the SlimCap up with the track and fit one end into the molding. Using a rubber mallet, tap the molding until it engages with the track. **Use your hand to guide the molding into the track as you work your way down**, tapping it in, similar to how you would close a zip-loc bag.

**IMPORTANT: Rock SlimCap back & forth to make sure it is sitting inside the track BEFORE hammering in!**



**If the SlimCap wiggles back and forth, it is NOT set in the track properly and will be damaged when hammered in!**

**Step 4:** Next, go up and down the molding several times, tapping the SlimCap all the way into the track. You can use a little more force once you are sure it is properly engaged in the track.

Floors 3/8 - 1/2" (9.5 - 12.7 mm)

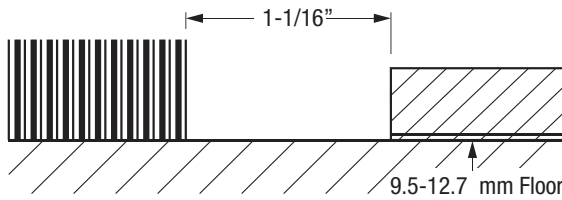


SlimTrack



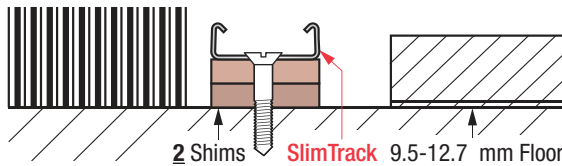
2 Versatrack Shims

1



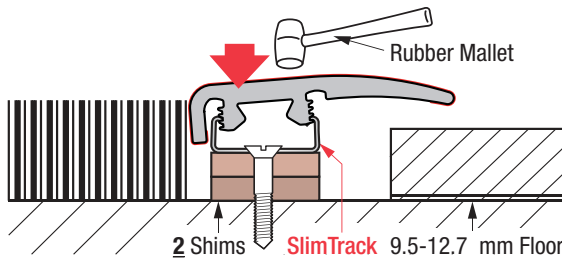
**Step 1:** Install the flooring planks including the underlayment by leaving a 1-1/16" inch (27mm) gap for the installation of the SlimCap molding.

2



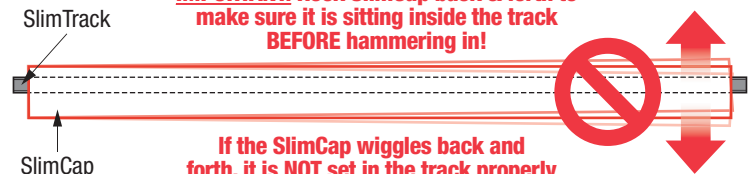
**Step 2:** Place the SlimTrack and both shims between the carpet and the flooring. Use the molding for a guide. **Make sure the 2 shims are flush with each other and the track is centered on the shims.** You may want to predrill the holes. Screw them to the subfloor by using #6x1-1/4" screws.

3



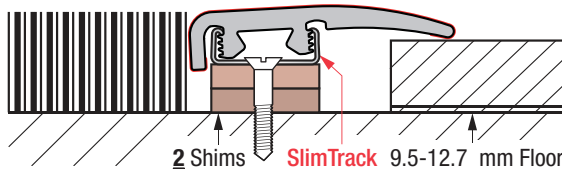
**Step 3:** Line the SlimCap up with the track and fit one end into the molding. Using a rubber mallet, tap the molding until it engages with the track. **Use your hand to guide the molding into the track as you work your way down**, tapping it in, similar to how you would close a zip-loc bag.

**IMPORTANT: Rock SlimCap back & forth to make sure it is sitting inside the track BEFORE hammering in!**



**If the SlimCap wiggles back and forth, it is NOT set in the track properly and will be damaged when hammered in!**

4



**Step 4:** Next, go up and down the molding several times, tapping the SlimCap all the way into the track. You can use a little more force once you are sure it is properly engaged in the track.